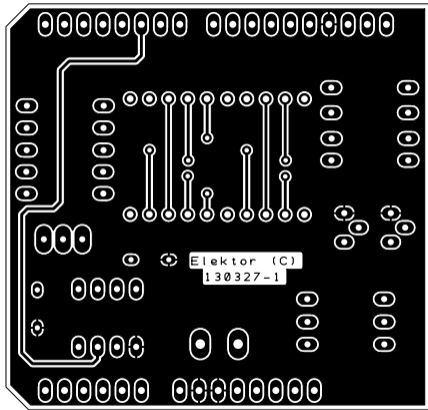
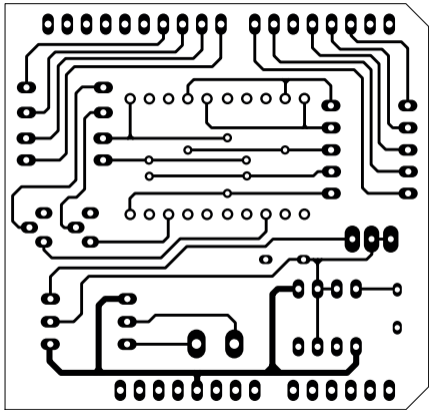


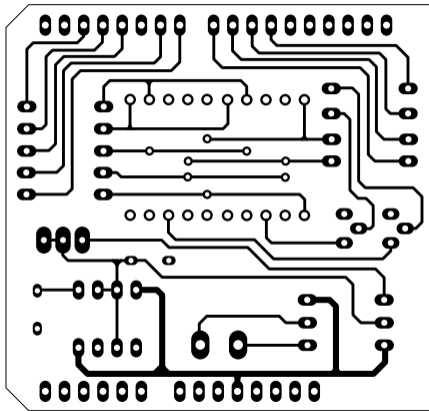
TOP

BOTTOM

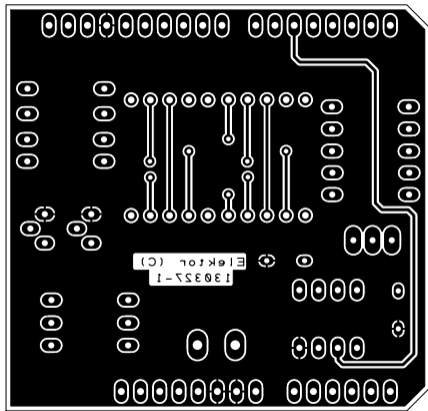


non reflected

TOP



BOTTOM



reflected